



# Shenzhen CLN Electronics Co., Ltd

## SILVER OXIDE BUTTON CELL SPECIFICATION

MODEL : SR626SW

### SILVER OXIDE BUTTON CELL

#### SR626 BUTTON CELL

NOMINAL VOLTAGE: 1.55VOLT

APPROX SERVICE CAPACITY: 26mAh

APPROX WEIGHT: 0.35g

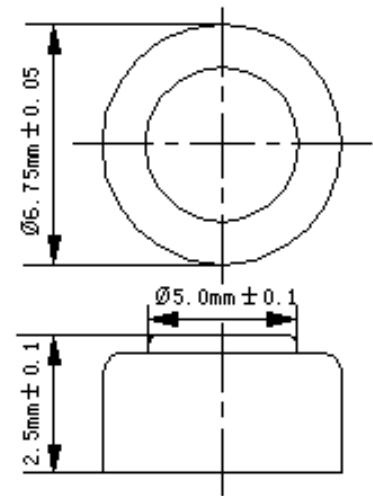
CHEMICAL SYSTEM: ZINC/SILVER DIOXIDE

(POTASSIUM HYDROXIDE ELECTROLYTE)

STORAGE LOSS AT 20°C : LESS THAN 10% IN 1 YEAR

STORAGE LOSS AT 60°C : LESS THAN 10% IN 20 DAYS

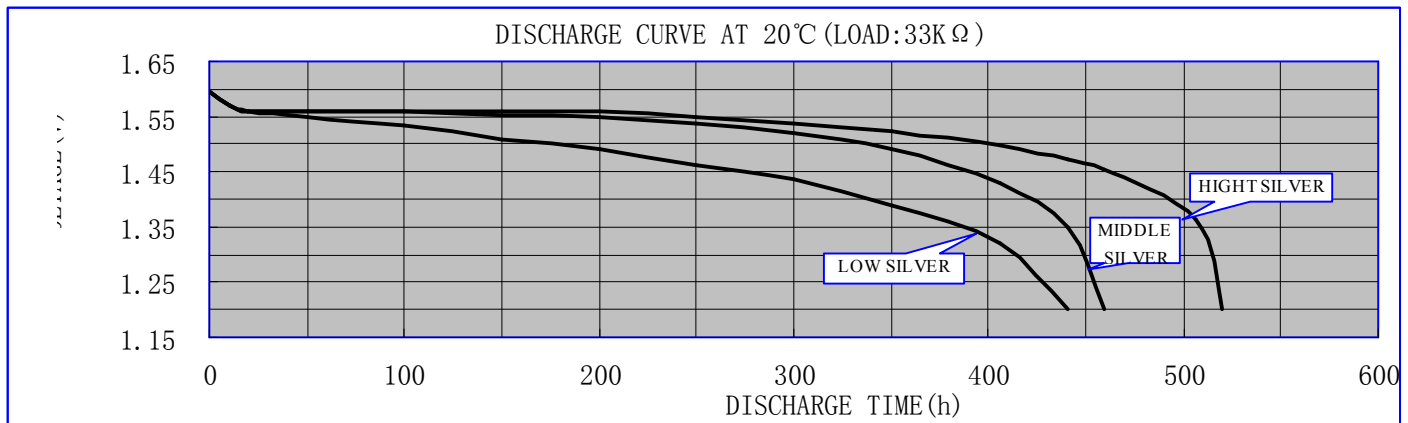
#### DINENSIONS:



### DISCHARGE CURVE

RATED AT 33K Ω LOAD TESTED AT 20 ± 2°C  
WITHIN 30DAY OF MANUFACTURE

DISCHARGE SCHEDULE: 24HRS/DAY



#### **AVERAGE SERVICE LIFE (AT 20°C) (CUT-OFF VOLTAGE 1.2V)**

| SCHEDULE      | AVERAGE WEIGHT | AVERAGE CAPACITY | SERVICE LIFE |
|---------------|----------------|------------------|--------------|
| HIGH SILVER   | 0.35 g         | 26 mAh           | 520 hours    |
| MIDDLE SILVER | 0.35 g         | 20 mAh           | 440 hours    |
| LOW SILVER    | 0.35 g         | 18 mAh           | 420 hours    |